

**MICRO SWITCH**FREEPORT ILLINOIS  
A DIVISION OF HONEYWELL

FED. MFG. CODE 91929

**SWITCH - BASIC**

CATALOG LISTING

**BZ-RW80X****BZ-RW80X****M**DRAWING  
NUMBER

9

ISSUE

REPLACES

RELEASE NO.

CHECK

CHECK

2 AUG 62

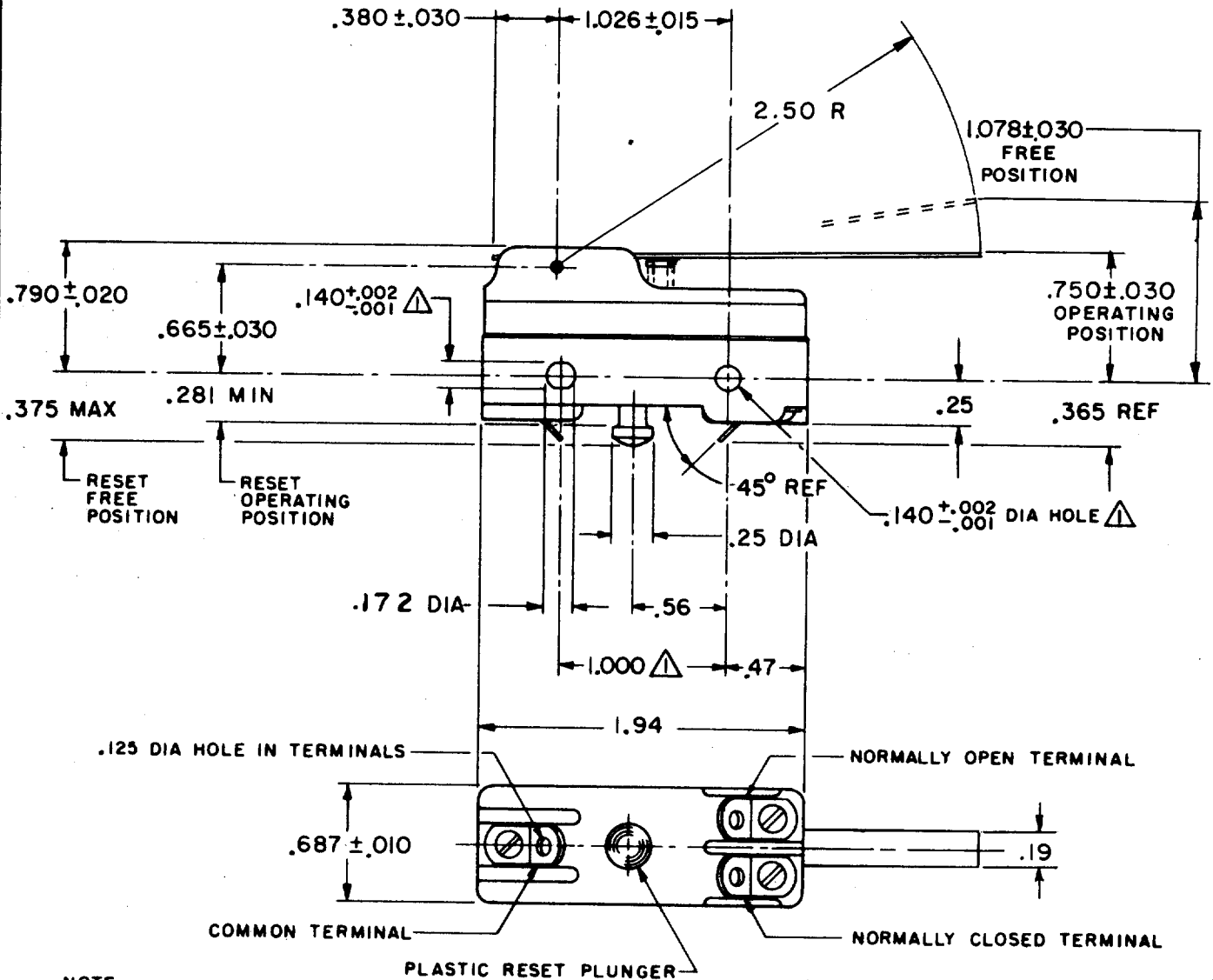
DRAW

CHECK

2 AUG 62

DRAWN

FO-50378



NOTE -

▲ - MOUNTING HOLES WILL ACCEPT PINS OR SCREWS  
OF .139 MAX DIA ON 1.000 ± .002 CENTERS

THIS DRAWING COVERS A PROPRIETARY ITEM AND IS THE PROPERTY OF MICRO SWITCH, A DIVISION OF MINNEAPOLIS-HONEYWELL REGULATOR CO. THIS DRAWING IS NOT TO BE COPIED OR USED WITHOUT THE APPROVAL OF MICRO SWITCH.

CHARACTERISTICS		ELECTRICAL DATA		SCALE FULL
OPERATING FORCE — — — 2 1/4 OZ MAX		CONTACT ARRANGEMENT		DO NOT SCALE PRINT
OVERTRAVEL — — — — .219 MIN		SINGLE POLE DOUBLE THROW MAINTAINED CONTACT		
RESET CHARACTERISTICS		BREAK DISTANCE		UNLESS OTHERWISE SPECIFIED DIMENSIONS ARE IN INCHES <b>TOLERANCES ARE:</b>
OPERATING FORCE — — — — 2-10 OZ		.070 MIN		
OVERTRAVEL — — — — .015 MIN		UNDERWRITERS' LAB. INC. LISTED RATING		
		-L67- 15A-125, 250, OR 480 VAC		ONE PLACE (.0) ± .030
		1/4 HP-125 VAC; 1/2 HP-250 VAC		TWO PLACE (.00) ± .015
		1/2 A-125 VDC; 1/4 A-250 VDC		THREE PLACE (.000) ± .005
				ANGLES ±
				WEIGHT